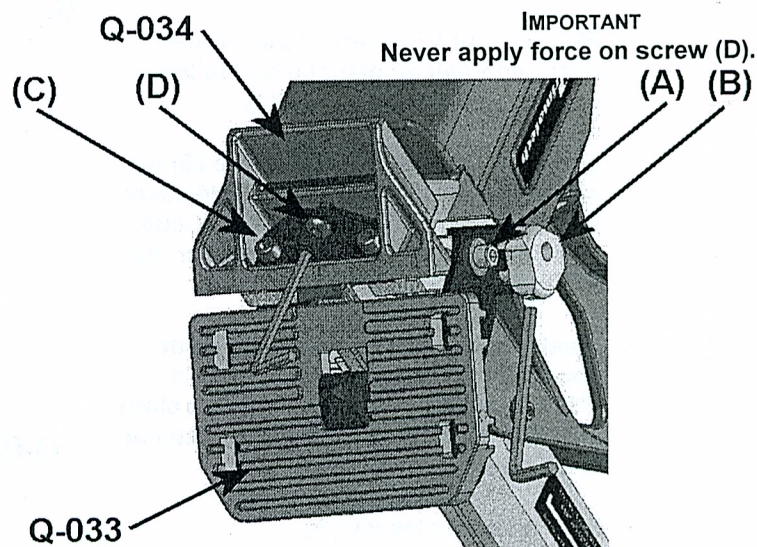


ADJUSTING THE Q550 PNEUMATIC NAILER FOR HARWOOD THICKNESS

The Q550 pneumatic nailer is fitted with a fully adjustable plastic base Q-033, designed to prevent contact with the top edge of the flooring. Since there is no standard among manufacturers about the dimensions of the tongue, it is important to adjust the nailer to fit the flooring prior any installation. The Q550 also feature a resting block Q-034 which prevent damage to the top edge of the flooring by positioning the tool against the tongue.

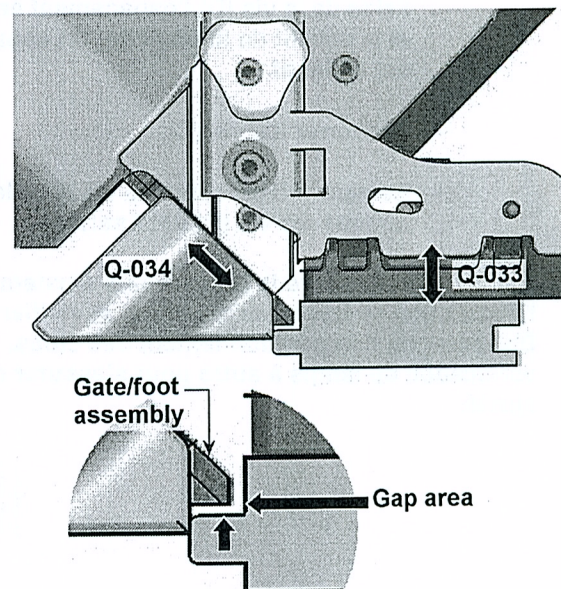
Step 1: adjusting the base for flooring thickness:

- Using the 3/16" wrench, unfasten but do not remove screws (A); one on each side of the tool.
- Put the tool upside down and position a short piece of flooring against the gate/foot assembly (Q-029/Q-032).
- Engage the 3/16" wrench in knob (B) as shown; rotate to move the base up or down. Note that the rotation range is only about 1/2 turn; do not apply unnecessary force when a limit is reached.
- Adjust the height of the plastic base to obtain a small gap between the gate/foot assembly and the top side of the tongue of the sample board. A gap of 1/32", about half the thickness of the nail, should be adequate for most situations.
- Tighten both screws (A).



Step 2: adjusting the resting block for the width of the tongue:

- Using the 3/16" wrench, unfasten by about 1/2 turn – do not remove the two screws (C).
- With the short piece of flooring still against the gate/foot assembly, adjust the gap between the resting block and the tongue with screw (D). A small gap of 1/32", about half the thickness of the nail, should be adequate for most situations. You never need to apply force on screw (D).
- Tighten both screws (C).
- Ensure that screw (D) is slightly tighten. Do not apply force on screw (D) once screws (C) are tighten.



After completing the adjustment procedure, proceed with the installation of few boards. Carefully check for the proper positioning of the nail onto the board. Check after few more rows to insure that all parts are secured in place.